

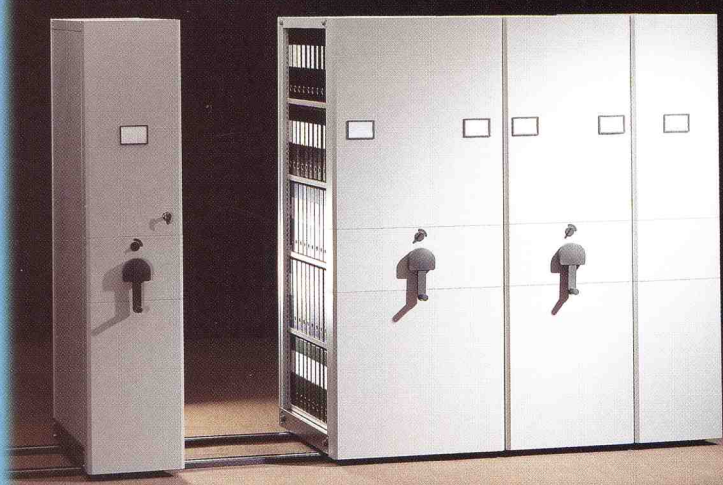
肯



栢



特



斯

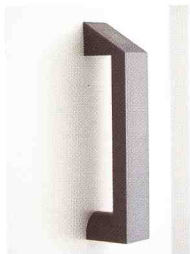
COMPACTUS

Series Mobile Filing Cabinet

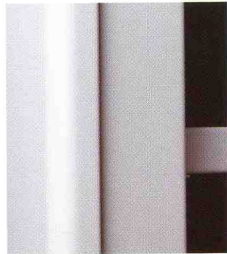
活動組合文件直推櫃系列

LITTON 利通貿易工程有限公司
 LITTON TRADING & ENGINEERING LTD.
 澳門黑沙環海邊馬路45號保利達工業中心第2期7樓11座
 Est. Mar. da Areia Preta Nº 45, Edif. Industrial Polytex, Fase II, 7 andar N. Macau
 Tel: 2870 1830 Fax: 2870 1630 E-mail: info@kamslitton.com
www.kamslitton.com

Manual Type Mobile Filing Cabinet



Handle
拉手



Round Corner
圓角



Aisle Safety Lock
通道安全鎖



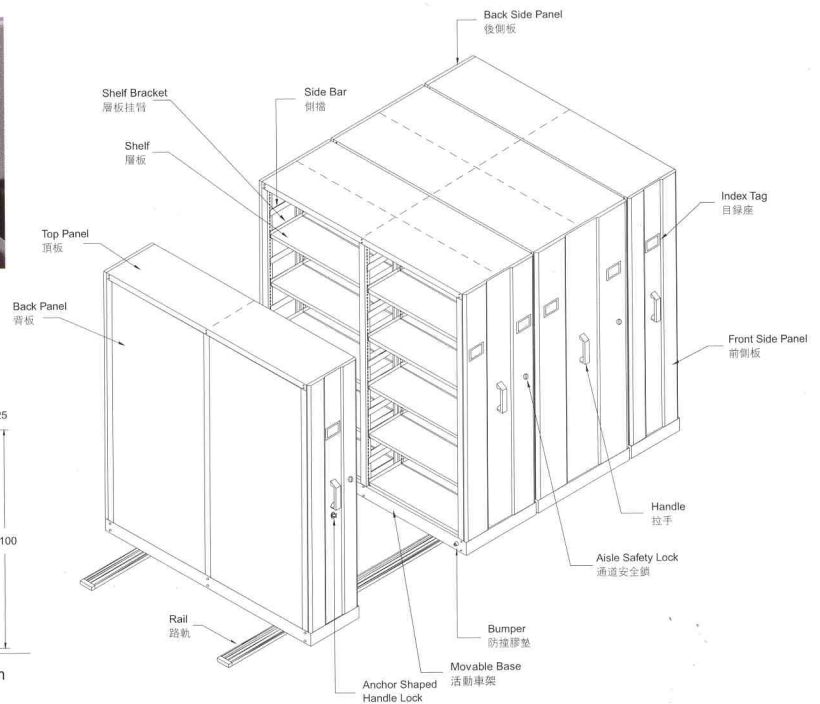
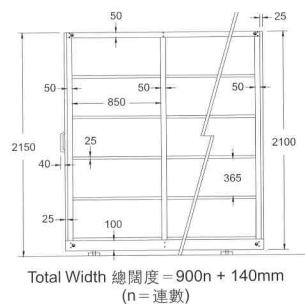
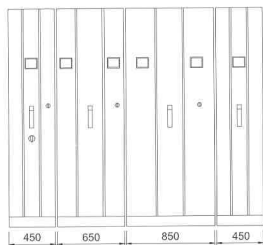
Index Tag
目錄座



Anchor Shaped Handle Lock
錨型把手鎖



Bumper
防撞膠墊



Mechanical Wheel Type Mobile Filing Cabinet



Wheely Handle
轉盤



Round Corner
圓角



Aisle Safety Lock
通道安全鎖



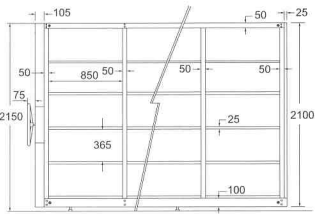
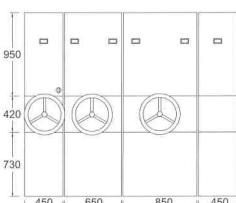
Index Tag
目錄座



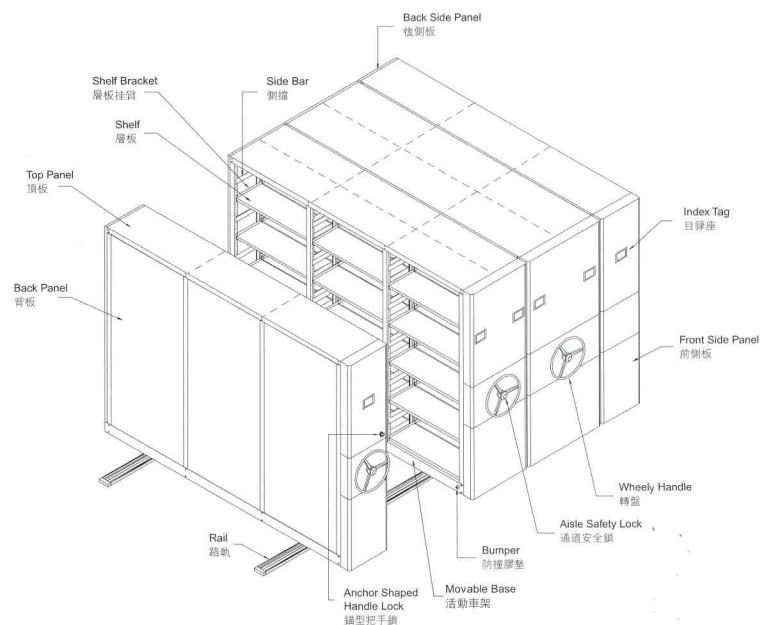
Anchor Shaped Handle Lock
錨型把手鎖



Bumper
防撞膠墊



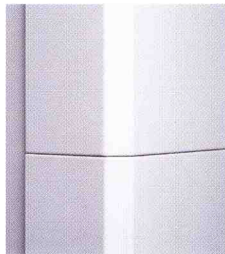
Total Width 總闊度 = $900n + 255\text{mm}$
(n = 連數)



Mechanical Handle Type Mobile Filing Cabinet



Stir Handle
手殼式把手



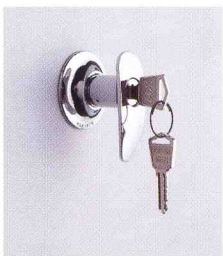
Sloping Corner
斜角



Aisle Safety Lock
通道安全鎖



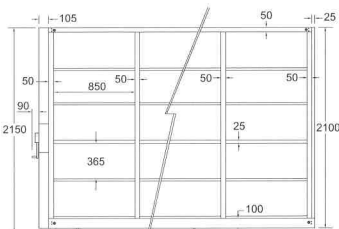
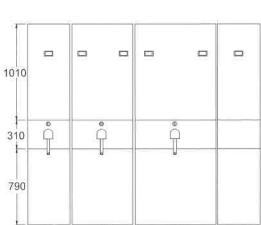
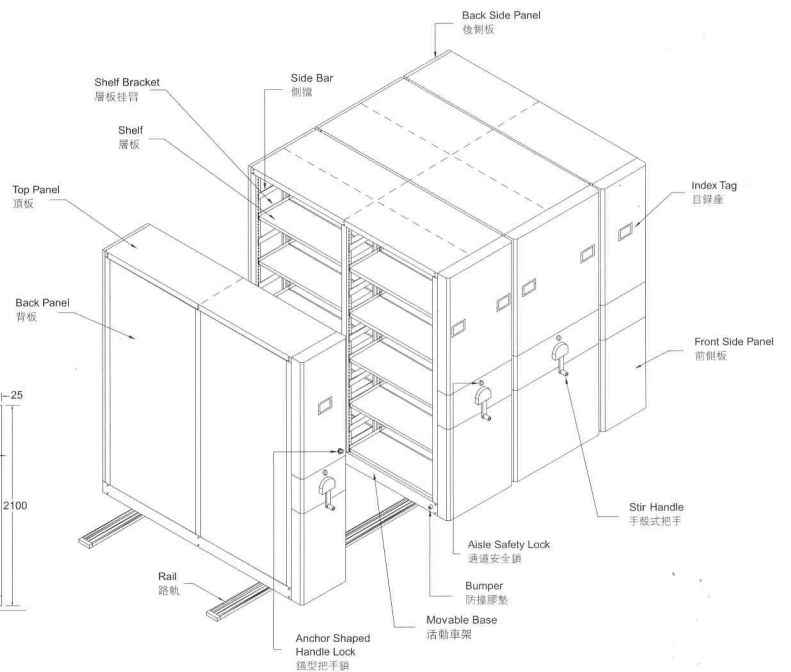
Index Tag
目錄座



Anchor Shaped Handle Lock
錨型把手鎖

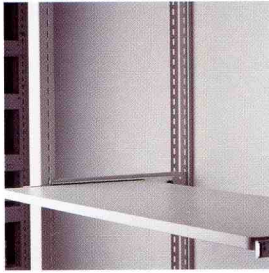


Bumper
防撞膠墊



Total Width 總闊度 = 900n + 270mm
(n = 連數)

Accessories

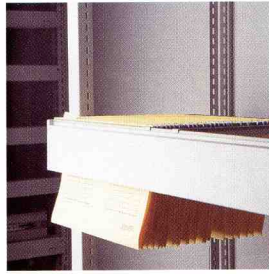


Pull-out Steel Shelf

拉出式鐵層板

SW-04PT (for D450)
W818 x D396 x H20

SW-21PT (for D650)
W818 x D296 x H20

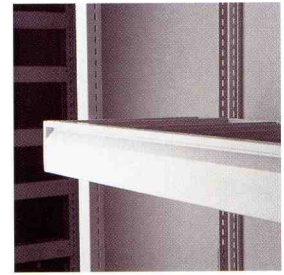


Pull-out File Frame

拉出式文件架

SW-05PF (for D450)
W821 x D414 x H115

SW-22PF (for D650)
W821 x D294 x H115

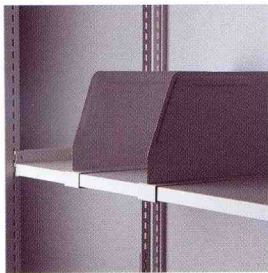


Pull-out Drawer

拉出式抽斗

SW-08PD (for D450)
W821 x D414 x H115

SW-23PD (for D650)
W821 x D294 x H115



Shelf Divider

分隔板

SW-09DV (for D450)
W401 x D50 x H200

SW-24DV (for D650)
W301 x D50 x H200

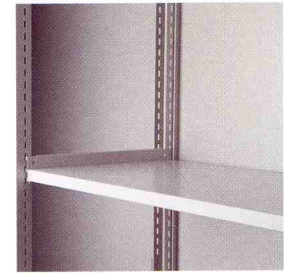


Pigeon Hole

文件格

SW-12PH (for D450)
W840 x D390 x H300

SW-20PH (for D650)
W840 x D290 x H300



Reinforced Shelf

加強層板

SW-01RS (for D650)
W845 x D294 x H25

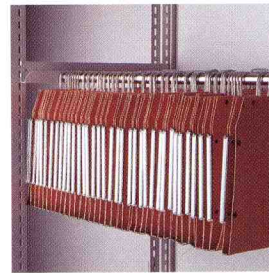
SW-02RS (for D450/850)
W845 x D394 x H25



Multi-purpose Shelf

多用途層板

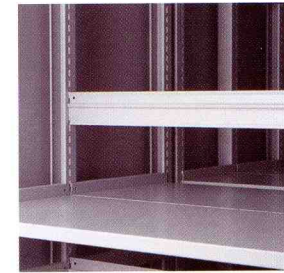
SW-02MS (for D450/850)
W845 x D394 x H25



Double Rod

雙掛通

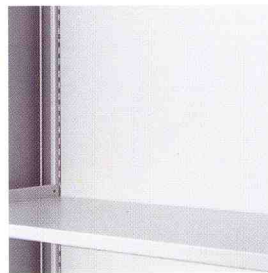
SW-03HR
W845 x D395 x H25



Central Bar

中橫擋

SW-10CB
W875 x H77



Central Panel

中橫板

SW-11CP
W846 x H2000



Sliding Door w/ lock

橫移門連鎖

SW-13SD
W848 x D57 x H1948



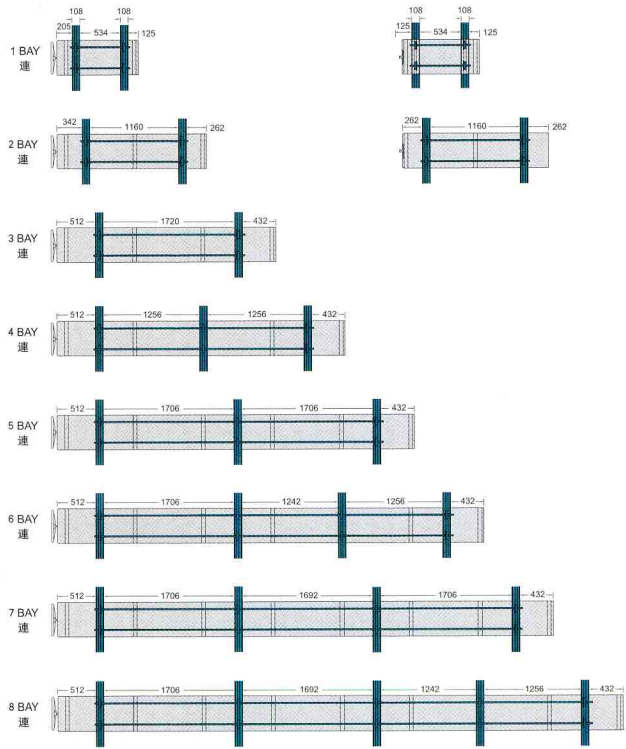
Double Swing Door w/ lock

雙掩門連鎖

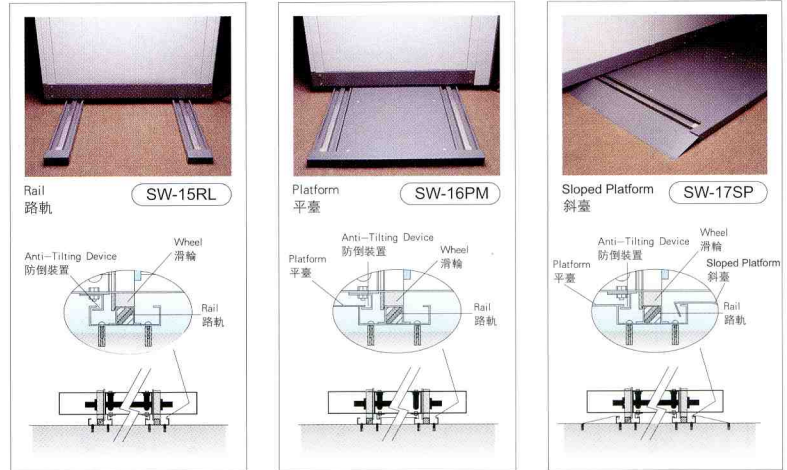
SW-14DD
W848 x D50 x H1948

Rail Position Drawings
路軌位置圖

Mechanical Wheel / Handel Type
機械轉盤 / 手殼式



Manual Type
手動式



Mobile Filing Cabinet Model:
活動組合文件直推櫃型號:

S F - P 450 - 1

Face 面類:
D : Double Face 雙面
S : Single Face 單面

State 狀態:
F : Fixed 固定
M : Movable 活動

No. of Bay 連數:
1-8

Depth 深度:
450 : 450mm
650 : 650mm
850 : 850mm

Type 類別:
A : Mechanical Handle 機械手殼式
M : Mechanical Wheel 機械轉盤式
P : Manual 手動式

Color:
顏色:



*Remark: In case of discrepancy between this color and the metal prototype, the latter will prevail.
此色樣與金屬樣板有些微差異，以金屬樣板為準。

Model of Mobile Filing Cabinet 活動組合文件直推櫃型號

Type 類別	Bay No. 連數	Single Fixed 單面固定 (D450mm)	Single Movable 單面活動 (D450mm)	Double Movable 雙面活動 (D650mm)	Double Movable 雙面活動 (D850mm)
Manual 手動式	1	SF-P450-1	SM-P450-1	DM-P650-1	DM-P850-1
	2	SF-P450-2	SM-P450-2	DM-P650-2	DM-P850-2
Mechanical Wheel 機械轉盤式	1	SF-M450-1	SM-M450-1	DM-M650-1	DM-M850-1
	2	SF-M450-2	SM-M450-2	DM-M650-2	DM-M850-2
	3	SF-M450-3	SM-M450-3	DM-M650-3	DM-M850-3
	4	SF-M450-4	SM-M450-4	DM-M650-4	DM-M850-4
	5	SF-M450-5	SM-M450-5	DM-M650-5	DM-M850-5
	6	SF-M450-6	SM-M450-6	DM-M650-6	DM-M850-6
	7	SF-M450-7	SM-M450-7	DM-M650-7	DM-M850-7
	8	SF-M450-8	SM-M450-8	DM-M650-8	DM-M850-8
Mechanical Handle 機械手殼式	1	SF-A450-1	SM-A450-1	DM-A650-1	DM-A850-1
	2	SF-A450-2	SM-A450-2	DM-A650-2	DM-A850-2
	3	SF-A450-3	SM-A450-3	DM-A650-3	DM-A850-3
	4	SF-A450-4	SM-A450-4	DM-A650-4	DM-A850-4
	5	SF-A450-5	SM-A450-5	DM-A650-5	DM-A850-5
	6	SF-A450-6	SM-A450-6	DM-A650-6	DM-A850-6
	7	SF-A450-7	SM-A450-7	DM-A650-7	DM-A850-7
	8	SF-A450-8	SM-A450-8	DM-A650-8	DM-A850-8