

文件櫃及貨架



利通貿易工程有限公司
LITTON TRADING & ENGINEERING LTD.

澳門宋玉生廣場, 258 建興龍廣場, 22樓H

ALAMEDA DR CARLOS D'ASSUMPCAO, 258, KIN HENG LONG PLAZA, 22H, Macau

Tel:2870 1830 Fax:2870 1630 E-mail: info@kamslitton.com
www.kamslitton.com



文檔專業的空間設計



LITTON 利通貿易工程有限公司
LITTON TRADING & ENGINEERING LTD.

澳門宋玉生廣場, 258 建興龍廣場, 22樓H
ALAMEDA DR CARLOS D'ASSUMPCAO, 258, KIN HENG LONG PLAZA, 22H, Macau
Tel:2870 1830 Fax:2870 1630 E-mail: info@kamslitton.com
www.kamslitton.com



LTCB-004
W900*D400*H1850(MM)



LTCB-005
W900*D400*H1850(MM)



LTCB-006
W900*D400*H1850(MM)



LTCB-001
W900*D400*H1850(MM)



LTCB-002
W900*D400*H1850(MM)



LTCB-003
W900*D400*H1850(MM)



LTCD-003
W900*D500*H1850(MM)



LTCD-006
W900*D500*H1850(MM)



LTCD-009
W900*D500*H1850(MM)



LTCB-007
W900*D400*H1850(MM)



LTCB-008
W900*D400*H1850(MM)



LTCB-009
W900*D400*H1850(MM)



LTCB-010
W900*D400*H1850(MM)



LTCB-011
W900*D400*H1850(MM)



LTCB-012
W900*D400*H1850(MM)



LTCD-003A
W900*D500*H1850(MM)



LTCD-006A
W900*D500*H1850(MM)

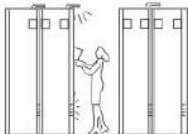


LTCD-009A
W900*D500*H1850(MM)

密集架系列



LTS-M002
W900*D560*H2400(MM)



目录检索 → 电脑查询 → 密集柜自动开启显示 → 工作人员取书



主控精显屏



红外线防撞装置



智能界面展示



智能操作界面



LTCB-013
W900*D400*H1850(MM)



LTCB-014
W900*D400*H1850(MM)



LTCB-015
W900*D400*H1850(MM)



LTCB-016
W900*D400*H1850(MM)



LTCB-017
W900*D400*H1850(MM)



LTCB-018
W900*D400*H1850(MM)



LTCB-019
W900*D400*H1850(MM)



LTCB-020
W900*D400*H1850(MM)



LTCB-021
W900*D400*H1850(MM)



LTCB-022
W900*D400*H1850(MM)



LTCB-023
W900*D400*H1850(MM)



LTSE-RD2031W10
W1000 x D450 x H2031



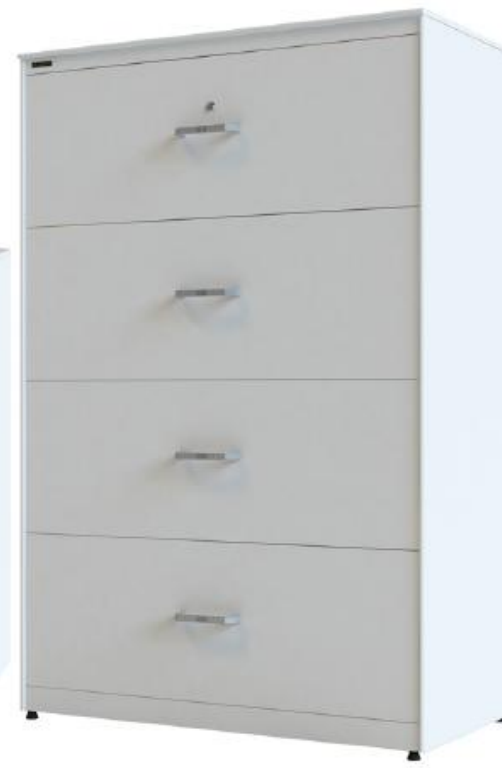
LTSE-RD1020W10
W1000 x D450 x H1020



LTSE-2D0735
W900 x D450 x H735



LTSE-3D1046
W900 x D450 x H1046



LTSE-4D1357
W900 x D450 x H1356

捲門櫃
Roller Door Cabinet



LTSQ-RD0735 W900 x D450 x H735
LTSQ-RD0900 W900 x D450 x H900
LTSQ-RD1046 W900 x D450 x H1046
LTSQ-RD1357 W900 x D450 x H1357
LTSQ-RD1800 W900 x D450 x H1800
LTSQ-RD2031 W900 x D450 x H2031

移門櫃
Sliding Door Cabinet



LTSQ-SLG0735 W900 x D450 x H735
LTSQ-SLG0900 W900 x D450 x H900
LTSQ-SLG1046 W900 x D450 x H1046
LTSQ-SLG1357 W900 x D450 x H1357
LTSQ-SLG1800 W900 x D450 x H1800

掩門櫃
Swing Door Cabinet



LTSQ-SW0735 W900 x D450 x H735
LTSQ-SW0900 W900 x D450 x H900
LTSQ-SW1046 W900 x D450 x H1046
LTSQ-SW1357 W900 x D450 x H1357
LTSQ-SW1800 W900 x D450 x H1800



LTSE-3DE
W384 x D500 x H625mm



LTSE-3DY
W384 x D500 x H625mm



LTRS-M3D-02
W400 x D500 x H605mm



LTRS-M3D-04
W400 x D500 x H605mm



LTSQ-M3D
W400 x D500 x H605mm



LTRS-M3D-03
W400 x D500 x H605mm



LTRS-M3D-01
W400 x D500 x H605mm



LTSQ-2D0735
W900 x D450 x H735

LTSQ-3D1046
W900 x D450 x H1046

LTSQ-4D1357
W900 x D450 x H1357



LTENZO-1D



LTENZO-2D



LTENZO-3D



LTENZO-4D



LTENZO-5D

LITTON



LTENZO-3Da

LTENZO-4D

LTENZO-6D

LTENZO-8D



LTENZO-9D

LTENZO-12D

LTENZO-15D

四款不同的鎖和兩款出氣孔可供選擇 4 Types of lock & ventilation holes for selection



Filing Cabinet

直式卡箱



設計簡潔、穩固，一次只可打開一個櫃桶，起到防倒的安全功能。
safety interlock mechanism



DR2D/C
SIZE: W458 x D635 x H725



DR3D/C
SIZE: W458 x D635 x H1030



DR4D/C
SIZE: W458 x D635 x H1337

特點 Expertise Features



A4文件夾左右排列
A4 files side by side



A4文件夾
A4 files



A4文件夾前後排列
A4 files front to back listed



安全鎖 & 標籤框
Safety lock & Index holder



LTMS-01



LTMS-02



LTMS-03



LTMS-04



LTMS-05



LTMS-06



LTMS-07



LTMS-08



LTMS-09



LTMS-10



LTMS-11



LTMS-12



LTMS-13



LTMS-14



LTMS-15



LTMS-16



LTMS-17



LTMS-18



LTMS-19



LTMS-20



利通貿易工程有限公司
LITTON TRADING & ENGINEERING LTD.

澳門宋玉生廣場, 258 建興龍廣場, 22樓H

ALAMEDA DR CARLOS D'ASSUMPCAO, 258, KIN HENG LONG PLAZA, 22H, Macau

Tel:2870 1830 Fax:2870 1630 E-mail: info@kamslitton.com

www.kamslitton.com



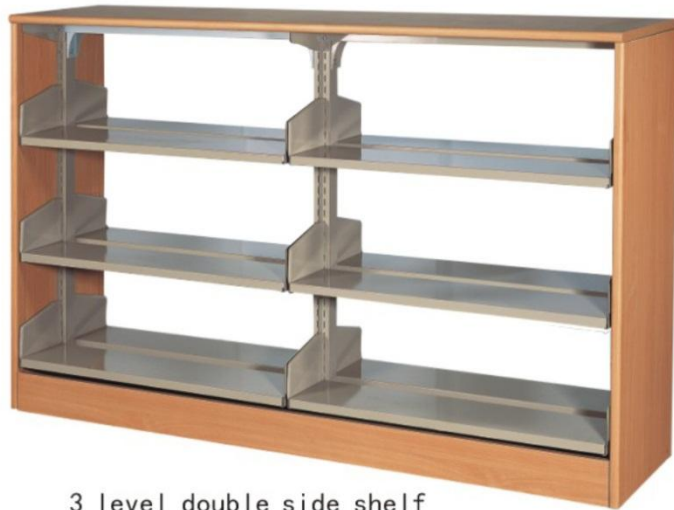
LTMS-21



LTMS-22



LTMS-23

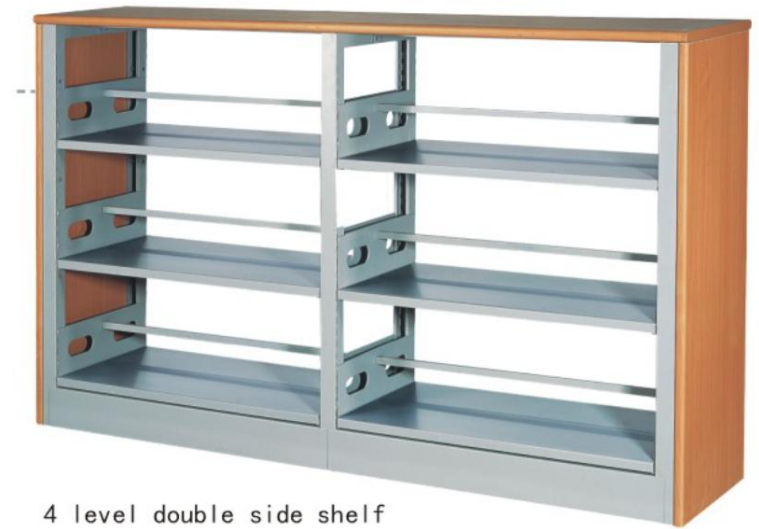


3 level double side shelf

LTMS-24



LTMS-25

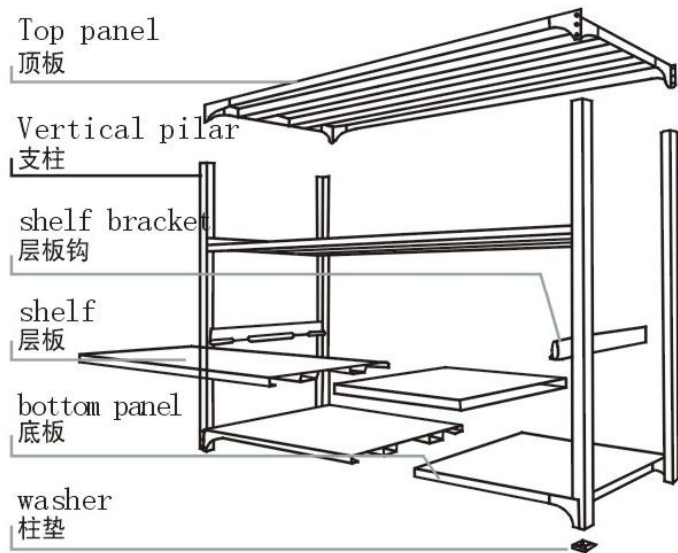
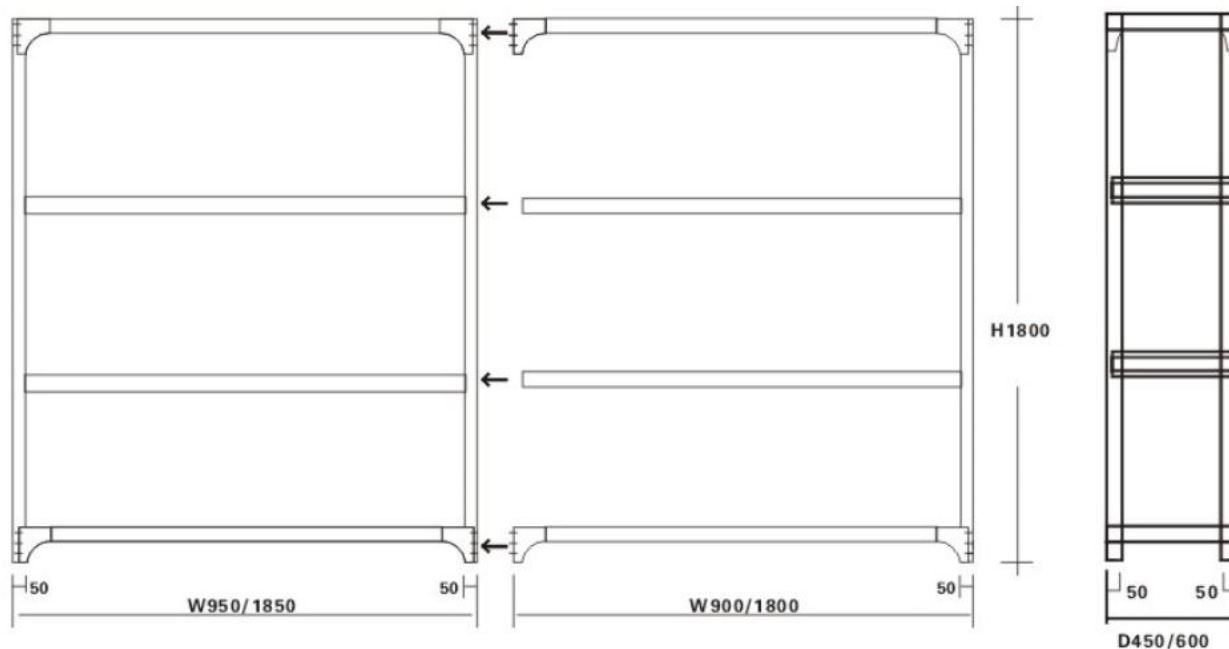


4 level double side shelf

LTMS-26



LTHR-系列



HR & PR Storage Rack is made from high quality cold-rolled steel plate through molding, phosphorus processing and powder painting. It is an extremely versatile and flexible rack, easy to install and quickly adaptable to changing requirements. Especially, it has a strong loading capacity with whatever the articles to be stored it provides the cost effective answer.